

THIS DRAWING IS UNPUBLISHED.

RELEASED FOR PUBLICATION

, 19

© COPYRIGHT 19

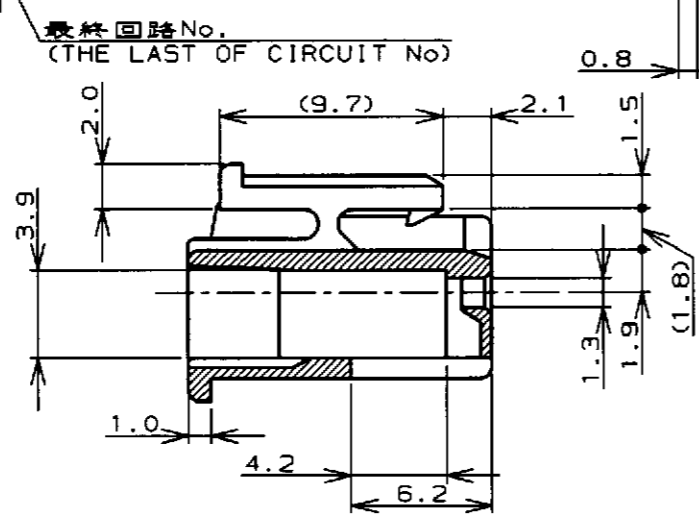
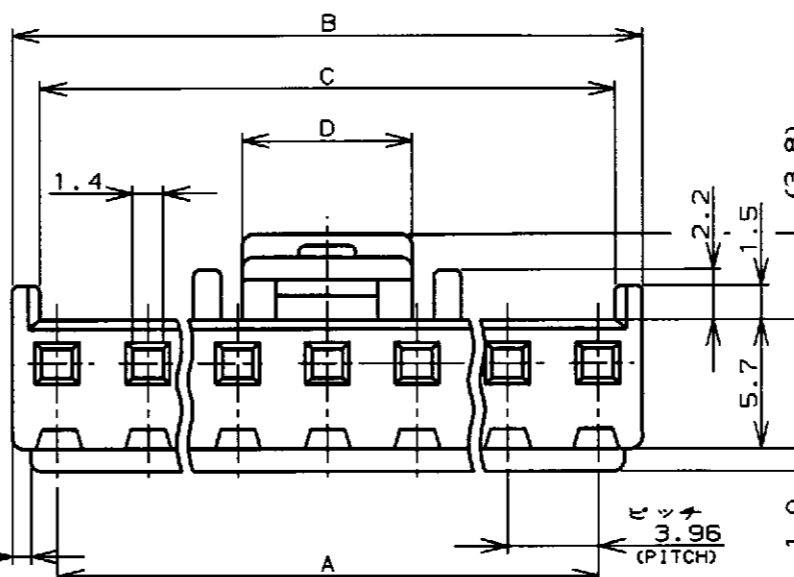
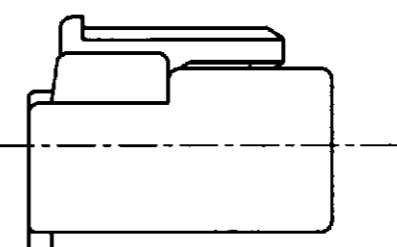
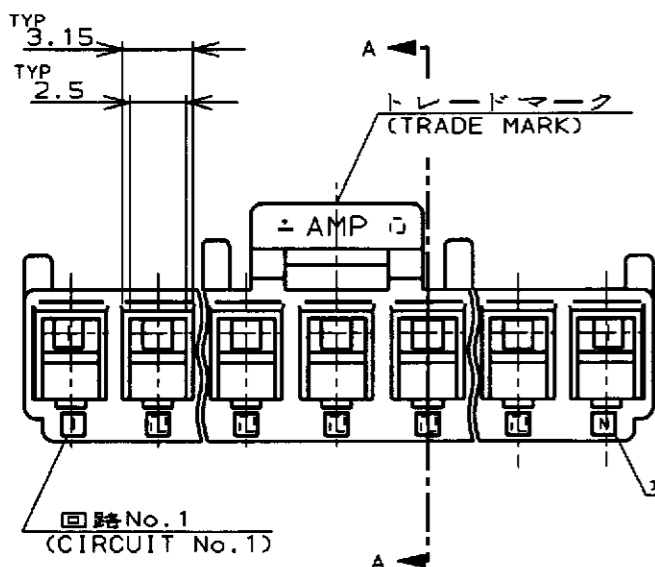
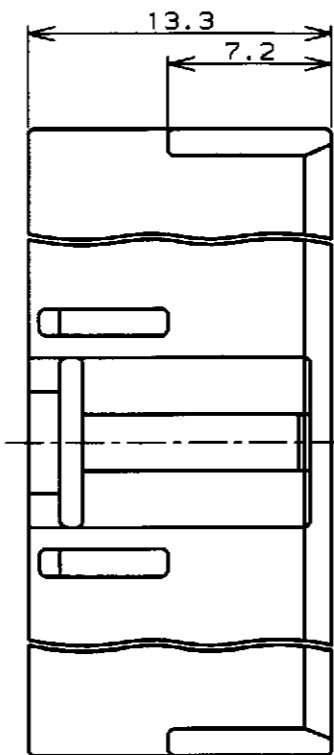
BY AMP INCORPORATED. ALL RIGHTS RESERVED.

注記:

- 1. 適用コンタクト : 0-1123721-1
- 2. 嵌合相手製品型番 : □-1123723-□
□-1123724-□

NOTES:

- 1. APPLICABLE CONTACT P/N : 0-1123721-1
- 2. MATING CONN P/N: □-1123723-□
□-1123724-□



41.10	43.50	39.60	緑 (GREEN)	11	6-1123722-1	
			黒 (BLACK)		5- -1	
			赤 (RED)		4- -1	
			青 (BLUE)		3- -1	
			黄 (YELLOW)		2- -1	
			自然色 (NATURAL)		1- -1	
37.14	39.54	35.64	緑 (GREEN)	10	6- -0	
			黒 (BLACK)		5- -0	
			赤 (RED)		4- -0	
			青 (BLUE)		3- -0	
			黄 (YELLOW)		2- -0	
			自然色 (NATURAL)		1- -0	
33.18	35.58	31.68	緑 (GREEN)	9	6- -9	
			黒 (BLACK)		5- -9	
			赤 (RED)		4- -9	
			青 (BLUE)		3- -9	
			黄 (YELLOW)		2- -9	
			自然色 (NATURAL)		1- -9	
29.22	31.62	27.72	緑 (GREEN)	8	6- -8	
			黒 (BLACK)		5- -8	
			赤 (RED)		4- -8	
			青 (BLUE)		3- -8	
			黄 (YELLOW)		2- -8	
			自然色 (NATURAL)		1- -8	
7.50	25.26	27.66	23.76	7	6- -7	
					5- -7	
					4- -7	
					3- -7	
					2- -7	
					1- -7	
21.30	23.70	19.80	緑 (GREEN)	6	6- -6	
			黒 (BLACK)		5- -6	
			赤 (RED)		4- -6	
			青 (BLUE)		3- -6	
			黄 (YELLOW)		2- -6	
			自然色 (NATURAL)		1- -6	
17.34	19.74	15.84	緑 (GREEN)	5	6- -5	
			黒 (BLACK)		5- -5	
			赤 (RED)		4- -5	
			青 (BLUE)		3- -5	
			黄 (YELLOW)		2- -5	
			自然色 (NATURAL)		1- -5	
13.38	15.78	11.88	緑 (GREEN)	4	6- -4	
			黒 (BLACK)		5- -4	
			赤 (RED)		4- -4	
			青 (BLUE)		3- -4	
			黄 (YELLOW)		2- -4	
			自然色 (NATURAL)		1- -4	
9.42	11.82	7.92	緑 (GREEN)	3	6- -3	
			黒 (BLACK)		5- -3	
			赤 (RED)		4- -3	
			青 (BLUE)		3- -3	
			黄 (YELLOW)		2- -3	
			自然色 (NATURAL)		1- -3	
3.60	5.46	7.86	3.96	2	6- -2	
					5- -2	
					4- -2	
					3- -2	
					2- -2	
					1-1123722-2	
D	C	B	A	ハウジング色調 (HOUSING COLOR)	極数 (POS)	型番 (P/N)

LOC	DIST	P	LTR	DESCRIPTION	ECN	DATE	DWN	APVD
				変更 (REVISED)	FJ00-2025-98	12 NOV '98	my	M.S
				変更 (REVISED)	FJ00-1907-98	13 OCT '98	N.Y	M.S
				変更 (REVISED)	FJ00-1566-98	19 AUG '98	N.Y	M.S
				作成 (RELEASED)	FJ00-1181-98	24 JUN '98	N.Y	M.S

THIS DRAWING IS A CONTROLLED DOCUMENT FOR AMP INCORPORATED. IT IS SUBJECT TO CHANGE AND THE CONTROLLING ENGINEERING ORGANIZATION SHOULD BE CONTACTED FOR THE LATEST REVISION.

DWN 24 JUN '98
CHK 24 JUN '98
APVD 24 JUN '98

N. YAMASAKI
M. SHINDO
M. SHINDO

DIMENSIONS: 単位: 概 mm

TOLERANCES UNLESS OTHERWISE SPECIFIED
一般公差
S: ±0.3
>S: ±0.4

材料: 66ナイロン UL94V-0 (66NYLON UL94V-0)

FINISH 仕上: //

AMP 日本エー・エム・シー株式会社
Kawasaki, Japan

NAME 名称: 3.96mm PITCH ECONOMY POWER (EP) CONN. PLUG HSG
製品規格: 3.96mm ピッチエコノミーパワー (EP) コネクタ
プラグハウジング

APPLICATION SPEC 取付適用規格: //

WEIGHT: //

CUSTOMER DRAWING

SIZE: A3 CAGE CODE: 00779 DRAWING NO: 1123722 RESTRICTED TO: C

SCALE: 尺度: # SHEET: 1 OF 1 REV: C